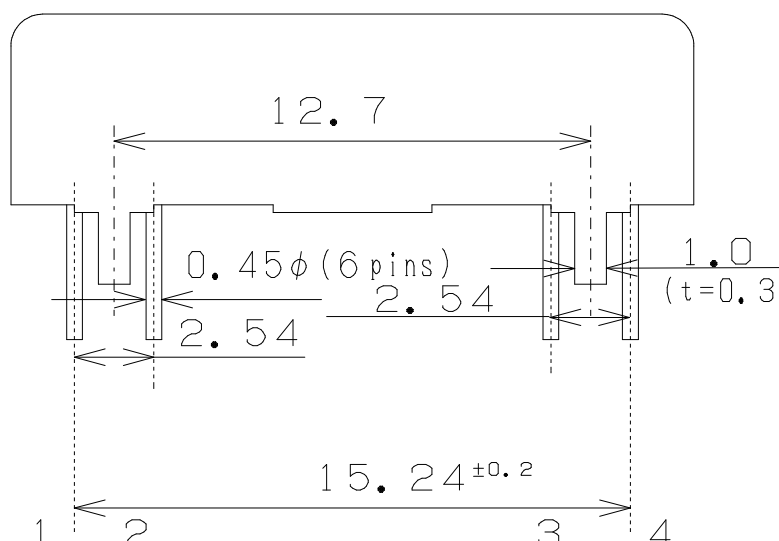
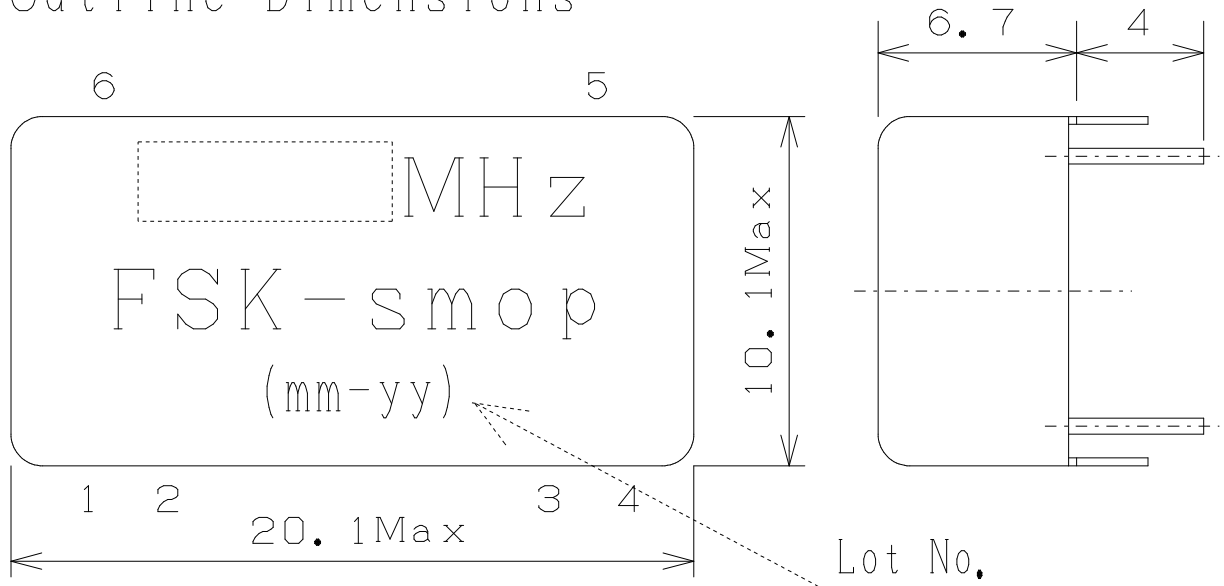


UHF/VHF

Case Style

FSK-smop

Outline Dimensions

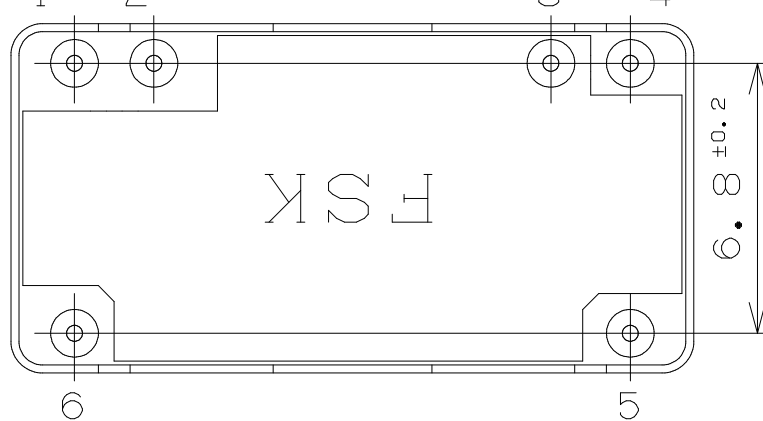


Contact Assignments

- 1. Signal Input
: FM Transmit
N.C. : otherwise
- 2. V-tune
- 3. Ground
- 4. RF Output
- 5. DC Power Supply
- 6. Ground

Case Materials:

Nickel-Silver alloy (0.3mm)



All Dimensions are millimeters

Issue		Date		FSK electro Corp.
		Date	01/09/2015	
		FSK-smop		OA4-
		Package Outline Drawing		0484