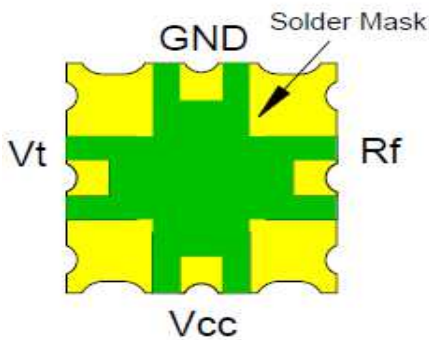


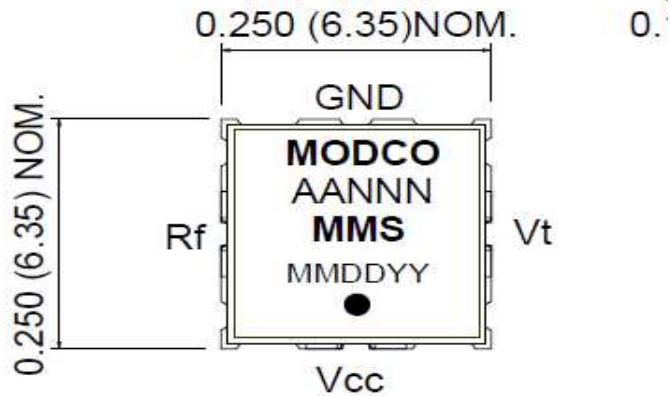
Performance Specification	Min	Typ	Max	Units
Frequency Range	90		150	MHz
Tuning Voltage			5	Vdc
Vcc		5		Vdc
Icc			15	mA
Output Power	5			dBm
2nd Harmonic			-10	dBc
Phase Noise @ 10KHz Offset			-103	dBc/Hz

Package Dimensions (Units ; inches(mm))

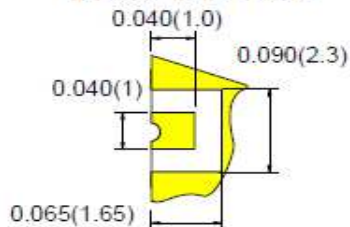
BOTTOM VIEW



TOP VIEW



PAD DETAIL

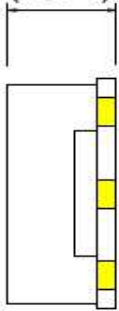


PIN	CON.
1	Vcc
3	Rf
7	Vt
Others	Gnd

Notes:

1. The case is ground.
2. Unless otherwise specified all dimensions are in inches.
3. Unless otherwise specified finish is 150-250 micro inches electroless nickel over copper clad PCB, 2-5 micro inches immersion gold, over nickel

SIDE VIEW
100(2.54)NOM.



PCB pad layout

