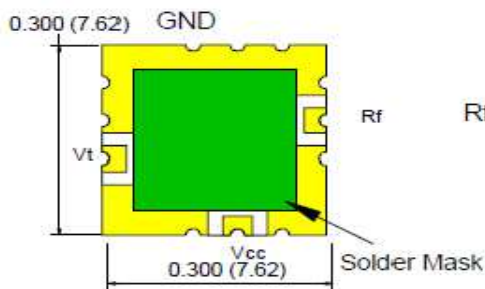


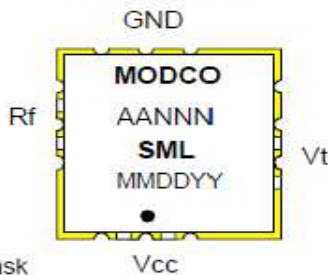
Performance Specification	Min	Typ	Max	Units
Frequency Range	150		170	MHz
Tuning Voltage	0.5		4.5	Vdc
Vcc		5		Vdc
Icc			16	mA
Output Power	2			dBm
2nd Harmonic			-12	dBc
Phase Noise @ 10KHz Offset			-102	dBc/Hz

Package Dimensions (Units ; inches(mm))

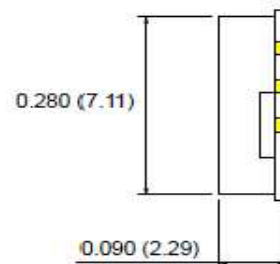
BOTTOM VIEW



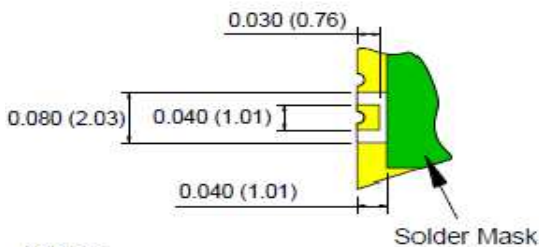
TOP VIEW



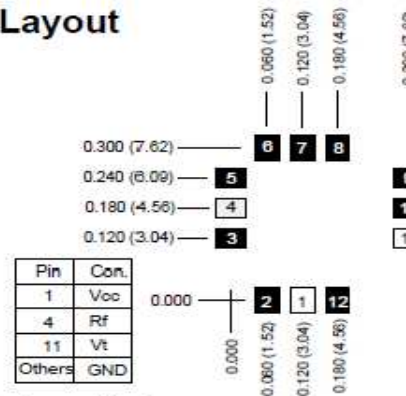
SIDE VIEW



PAD DETAIL



PCB Pad Layout



Notes:

1. The case is ground.
2. Unless otherwise specified all dimensions are in inches.
3. Unless otherwise specified finish is 150-250 micro inches electroless nickel over copper clad PCB, 2-5 micro inches immersion gold, over nickel
4. Mod port not available on all models.

— 0.300 (7.80)

0 0.240 (6.09)

0 0.180 (4.56)

1 0.120 (3.04)