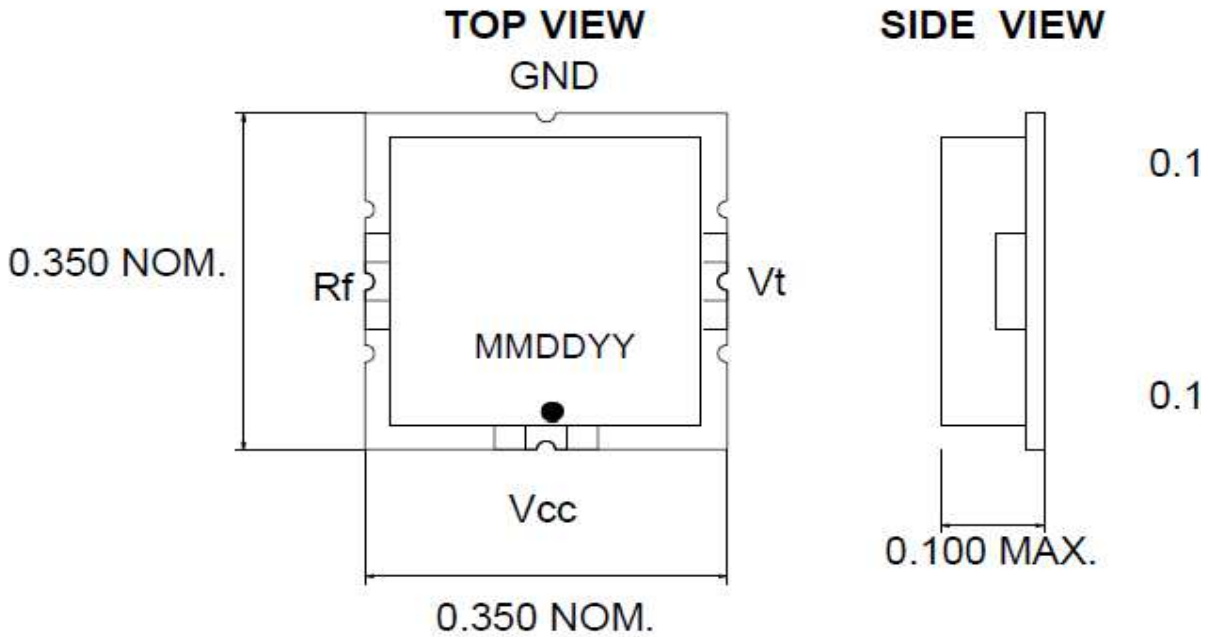


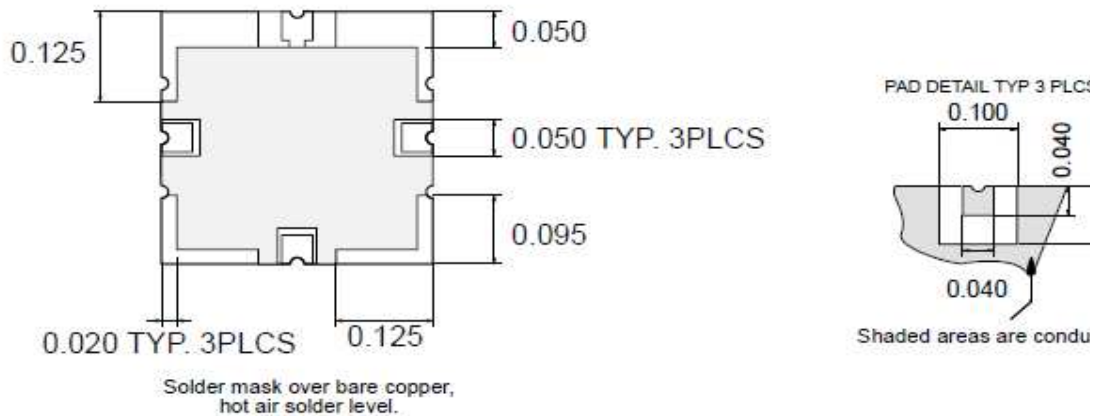
| Performance Specification | Min | Typ | Max | Units |
|----------------------------|------|-----|------|--------|
| Frequency Range | 1425 | | 1490 | MHz |
| Tuning Voltage | 0.5 | | 4.5 | Vdc |
| Vcc | | 5 | | Vdc |
| Icc | | | 13 | mA |
| Output Power | 2 | | | dBm |
| 2nd Harmonic | | | -12 | dBc |
| Phase Noise @ 10KHz Offset | | | -95 | dBc/Hz |



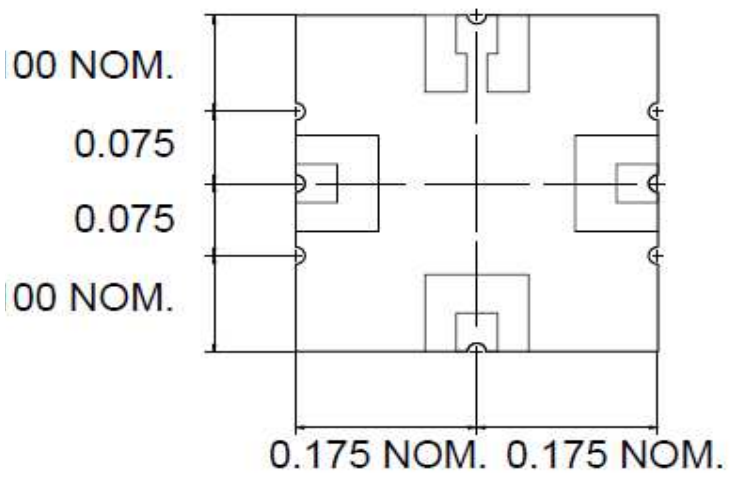
Notes:

1. The case is ground.
- 2 Soldermask/pad layout may vary depending on model, consult factory.
3. Unless otherwise specified all dimensions are in inches.
4. The Rf output is buffer amplified.

Solder Mask/pad details see note 2



BOTTOM VIEW



s.



ictor.