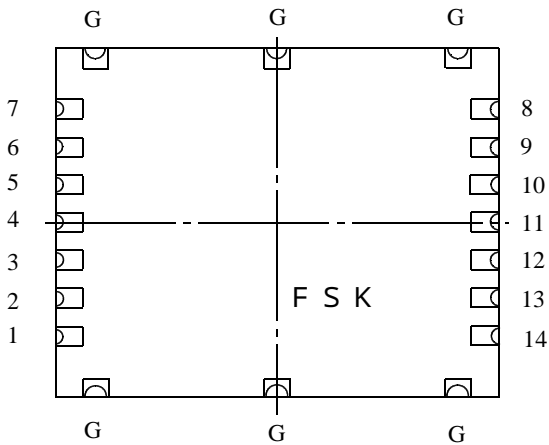
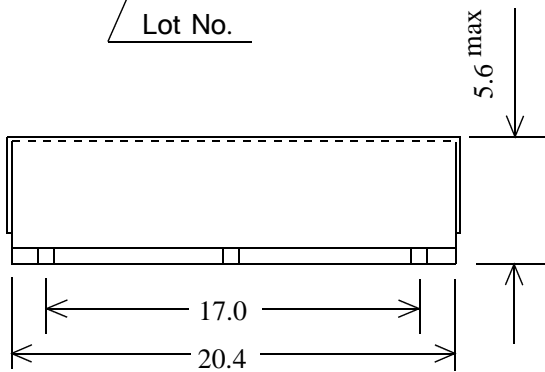
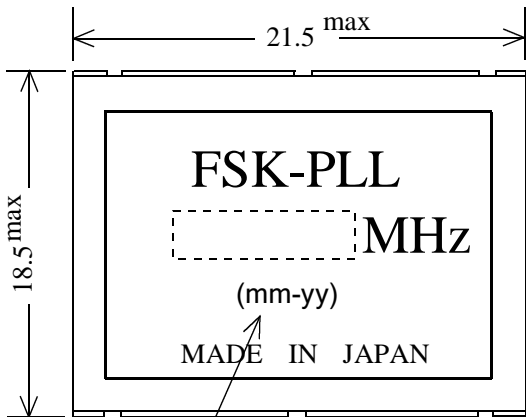
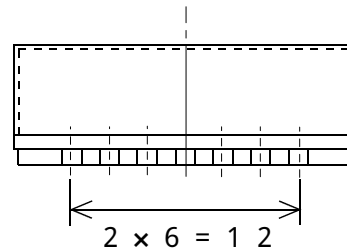
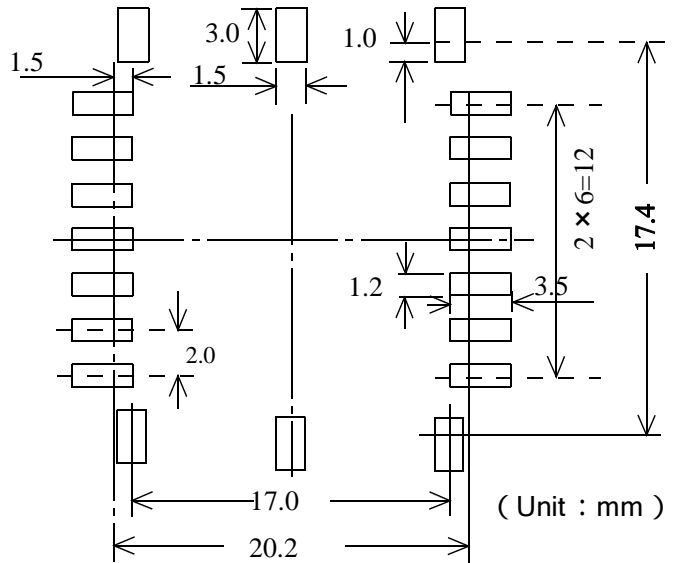


PLL Module Case Style

Outline Dimensions



PWB Land Pattern



Contact Assignments

- | | |
|--------------|---------------|
| 1:X-Tal | 8:Data |
| 2:Ground | 9:Clock |
| 3:Vdd(PLL) | 10:Strobe |
| 4:Lock Det | 11:Power Save |
| 5:Ground | 12:Vcc (VCO) |
| 6:Ground | 13:Ground |
| 7:Non Conect | 14:RF Output |

Case Material:Nickel-Sylve ally

All dimensions are millimeters

1	02/09/2015	FSK-PLL Package Outline Drawing	OA4-0487
			FSK electro Corp.