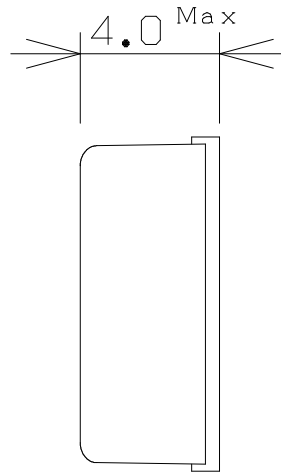
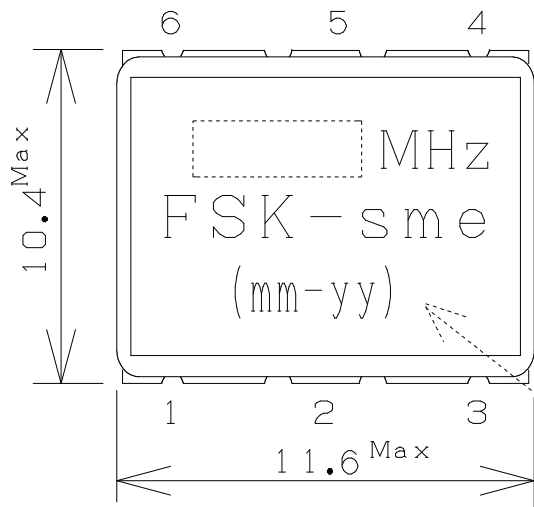


UHF / VHF

Case Style

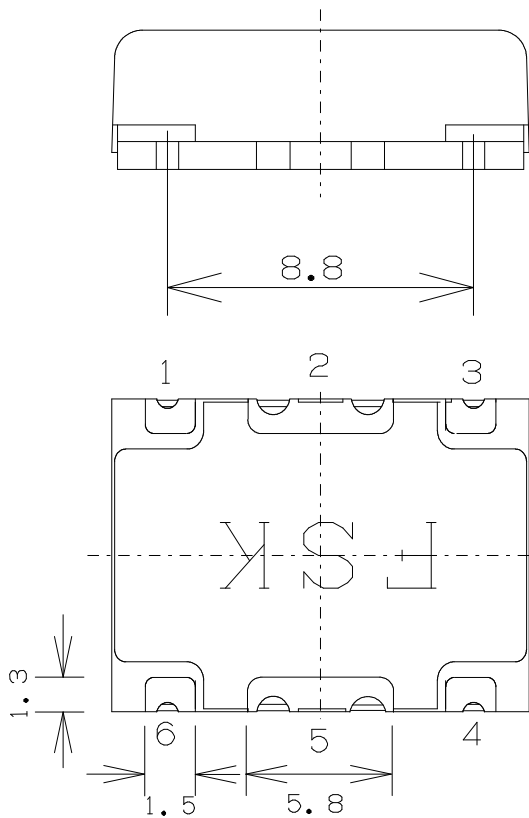
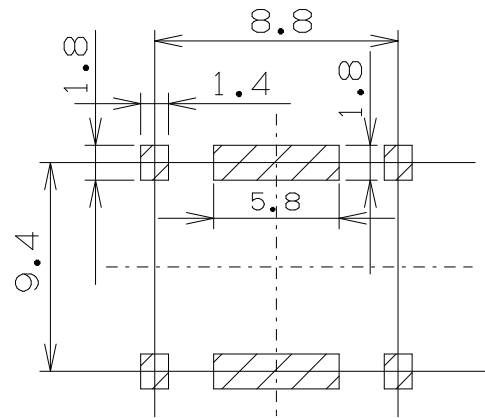
FSK-sme

Outline Dimensions



Lot No.

PCB Land Pattern



Contact Assignments

- 1. V-tune
- 2. Ground
- 3. DC Power Supply
- 4. RF Output
- 5. Ground
- 6. Signal Input: FM Transmit
N.C. : otherwise

Case Material: Nickel-Silver alloy

All Dimensions are Millimeters

Issue		Date		Date	01/09/2015	FSK electro Corp.
				FSK-sme		OA4-
				Package Outline Drawing		0483