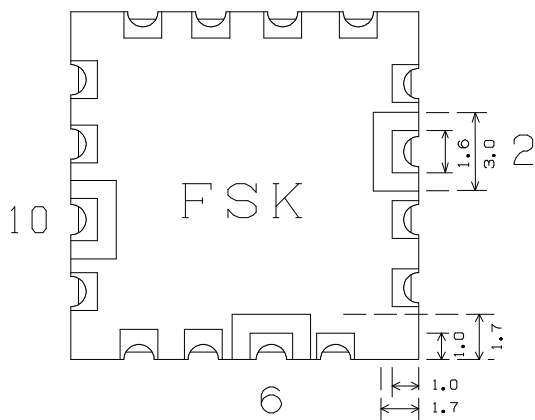
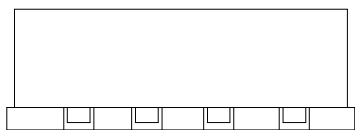
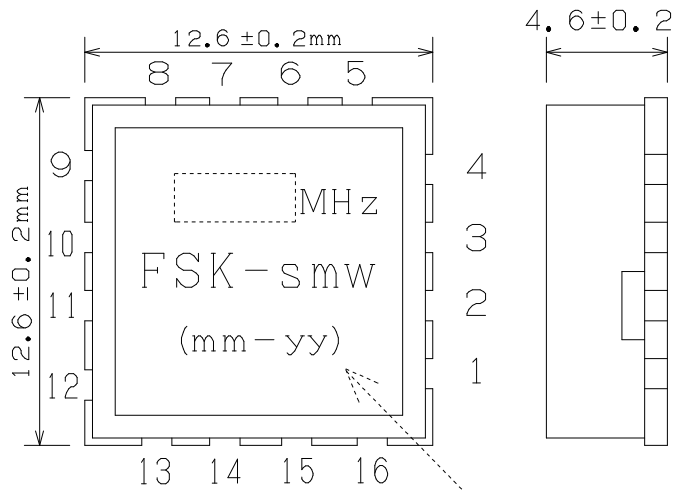


VHF / UHF

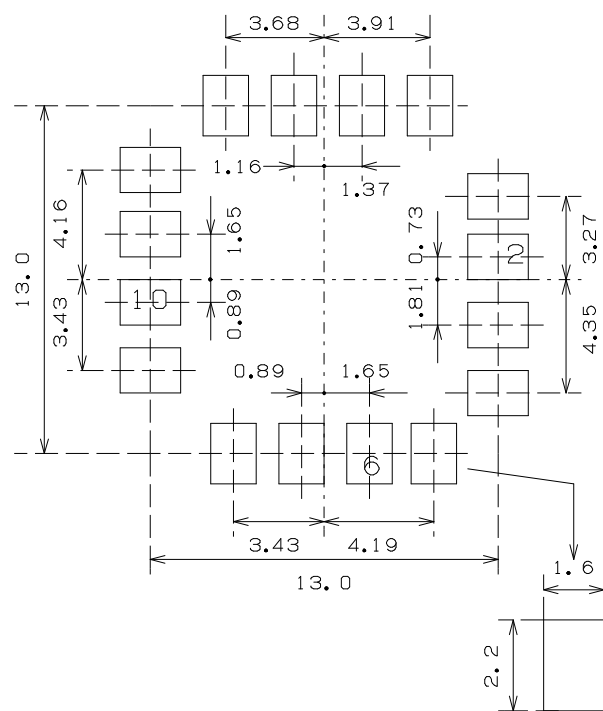
Case Style

FSK-smw

Outline Dimensions



PCB Land Pattern (Bottom View)



Contact Assignments

- 2 : RF Output
- 6 : DC Power Supply
- 10 : V-tune

All other contacts are Ground

All Dimensions are in millimetres

Issue		Date		Date	23/08/2011	FSK electro Corp.
				FSK-smw		OA4-
				Package Outline Drawing		0444